

PROBLEM SOLVING AND SEARCH

CHAPTER 3

Outline

- ◇ Problem-solving agents
- ◇ Problem types
- ◇ Problem formulation
- ◇ Example problems
- ◇ Basic search algorithms

Problem-solving agents

Restricted form of general agent:

```
function SIMPLE-PROBLEM-SOLVING-AGENT(percept) returns an action
static: seq, an action sequence, initially empty
         state, some description of the current world state
         goal, a goal, initially null
         problem, a problem formulation

state ← UPDATE-STATE(state, percept)
if seq is empty then
    goal ← FORMULATE-GOAL(state)
    problem ← FORMULATE-PROBLEM(state, goal)
    seq ← SEARCH(problem)
action ← RECOMMENDATION(seq, state)
seq ← REMAINDER(seq, state)
return action
```

Note: this is **offline** problem solving; solution executed “eyes closed.”
Online problem solving involves acting without complete knowledge.

Example: Romania

On holiday in Romania; currently in Arad.

Flight leaves tomorrow from Bucharest

Formulate goal:

be in Bucharest

Formulate problem:

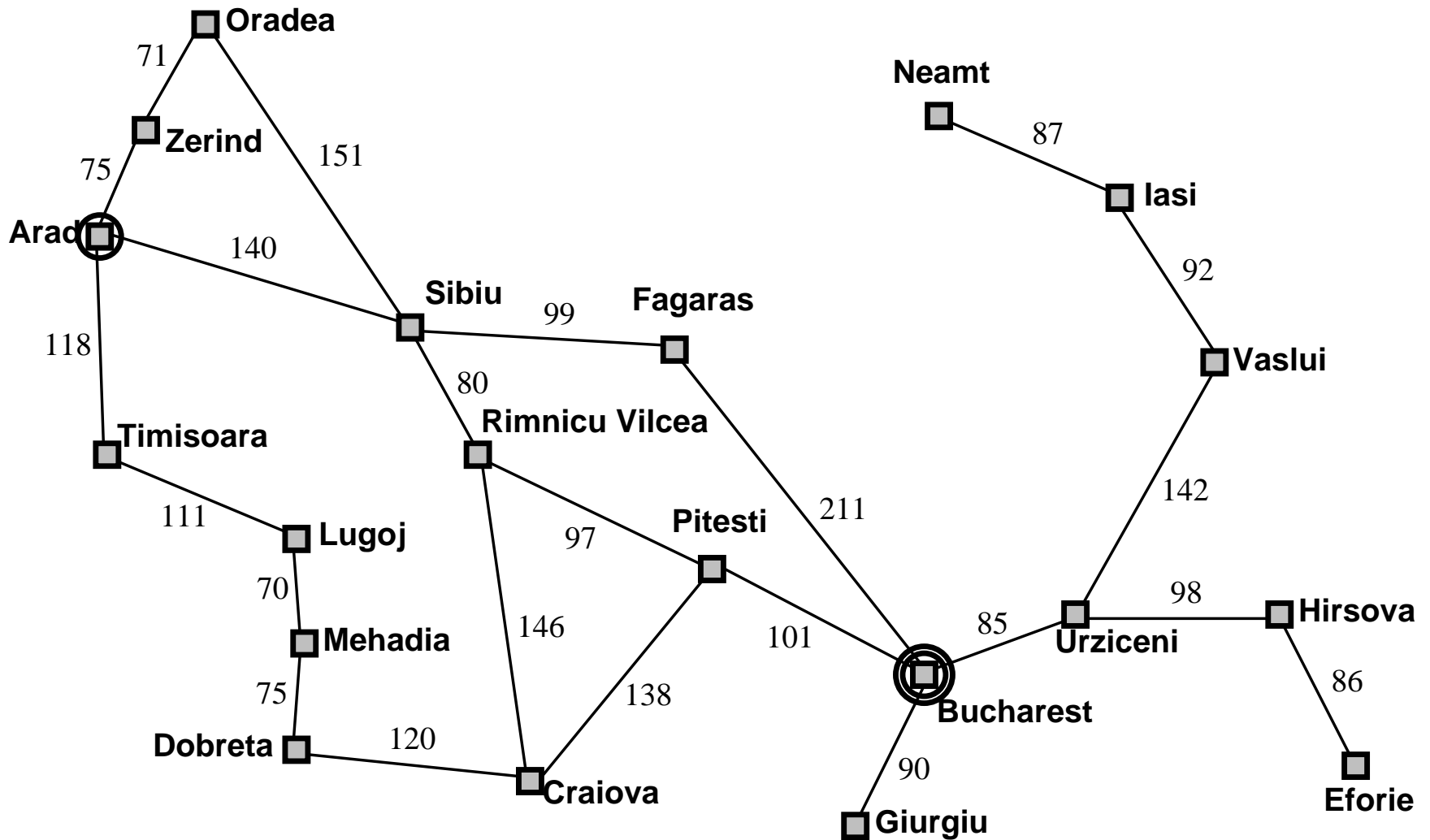
states: various cities

actions: drive between cities

Find solution:

sequence of cities, e.g., Arad, Sibiu, Fagaras, Bucharest

Example: Romania



Problem types

Deterministic, fully observable \implies single-state problem

Agent knows exactly which state it will be in; solution is a sequence

Non-observable \implies conformant problem

Agent may have no idea where it is; solution (if any) is a sequence

Nondeterministic and/or partially observable \implies contingency problem

percepts provide **new** information about current state

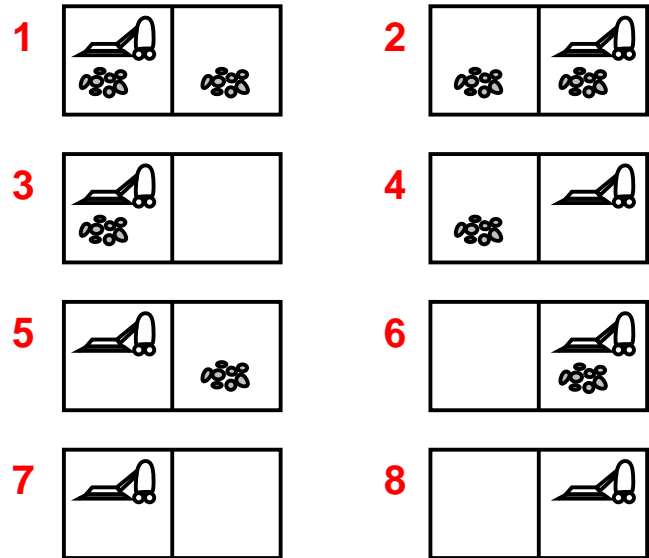
solution is a contingent plan or a policy

often **interleave** search, execution

Unknown state space \implies exploration problem (“online”)

Example: vacuum world

Single-state, start in #5. Solution??



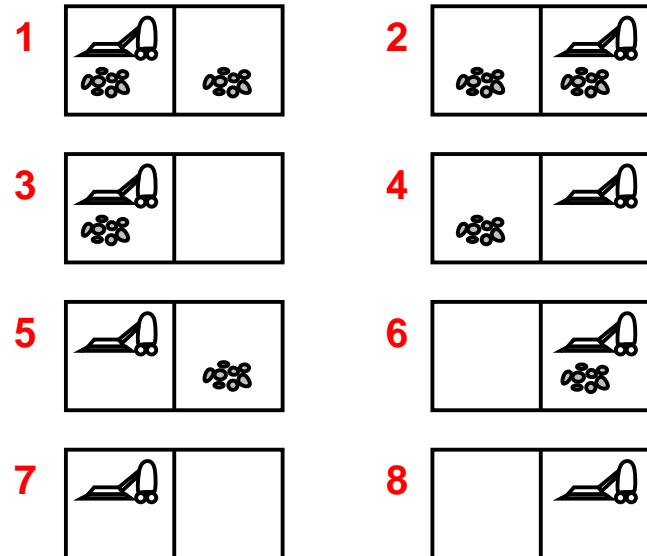
Example: vacuum world

Single-state, start in #5. Solution??

[*Right, Suck*]

Conformant, start in {1, 2, 3, 4, 5, 6, 7, 8}

e.g., *Right* goes to {2, 4, 6, 8}. Solution??



Example: vacuum world

Single-state, start in #5. Solution??

[*Right, Suck*]

Conformant, start in {1, 2, 3, 4, 5, 6, 7, 8}

e.g., *Right* goes to {2, 4, 6, 8}. Solution??

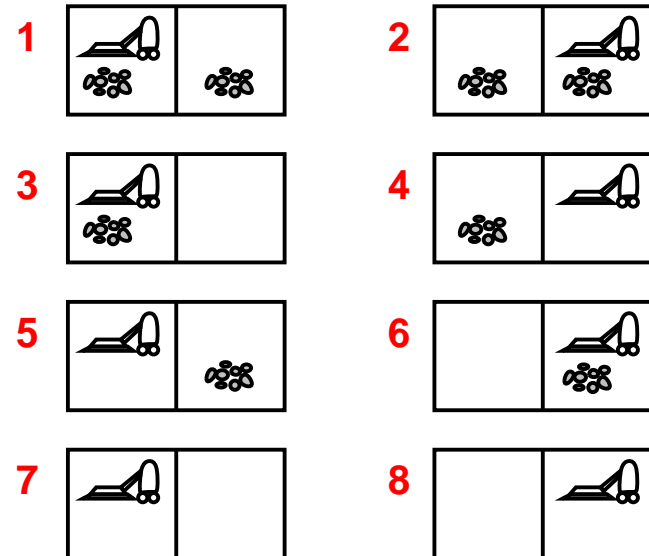
[*Right, Suck, Left, Suck*]

Contingency, start in #5

Murphy's Law: *Suck* can dirty a clean carpet

Local sensing: dirt, location only.

Solution??



Example: vacuum world

Single-state, start in #5. Solution??

[*Right, Suck*]

Conformant, start in {1, 2, 3, 4, 5, 6, 7, 8}

e.g., *Right* goes to {2, 4, 6, 8}. Solution??

[*Right, Suck, Left, Suck*]

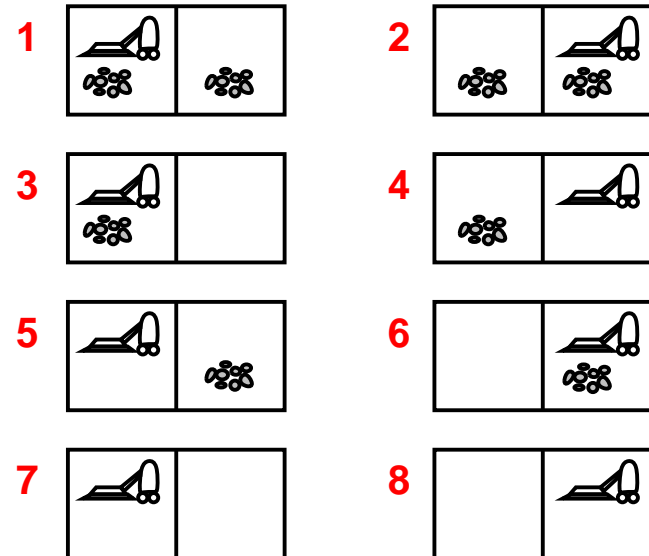
Contingency, start in #5

Murphy's Law: *Suck* can dirty a clean carpet

Local sensing: dirt, location only.

Solution??

[*Right, if dirt then Suck*]



Single-state problem formulation

A **problem** is defined by four items:

initial state e.g., “at Arad”

successor function $S(x)$ = set of action–state pairs

e.g., $S(\text{Arad}) = \{\langle \text{Arad} \rightarrow \text{Zerind}, \text{Zerind} \rangle, \dots\}$

goal test, can be

explicit, e.g., $x = \text{“at Bucharest”}$

implicit, e.g., $\text{NoDirt}(x)$

path cost (additive)

e.g., sum of distances, number of actions executed, etc.

$c(x, a, y)$ is the **step cost**, assumed to be ≥ 0

A **solution** is a sequence of actions

leading from the initial state to a goal state

Selecting a state space

Real world is absurdly complex

⇒ state space must be **abstracted** for problem solving

(Abstract) state = set of real states

(Abstract) action = complex combination of real actions

e.g., “Arad → Zerind” represents a complex set
of possible routes, detours, rest stops, etc.

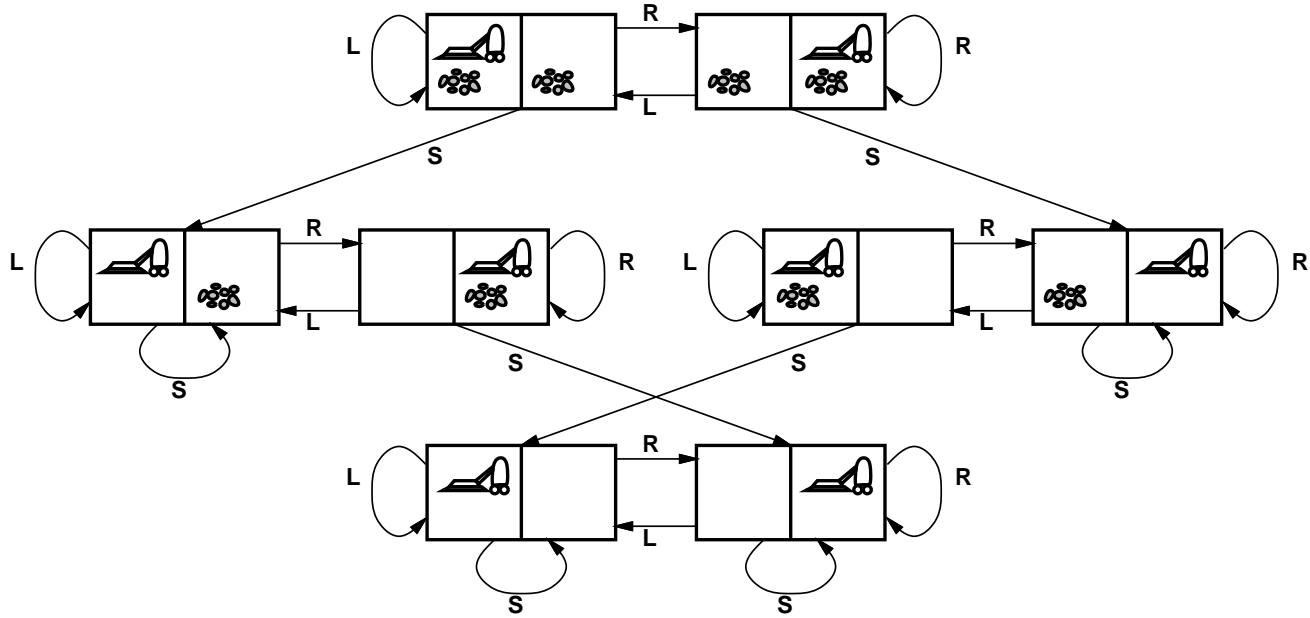
For guaranteed realizability, **any** real state “in Arad”
must get to **some** real state “in Zerind”

(Abstract) solution =

set of real paths that are solutions in the real world

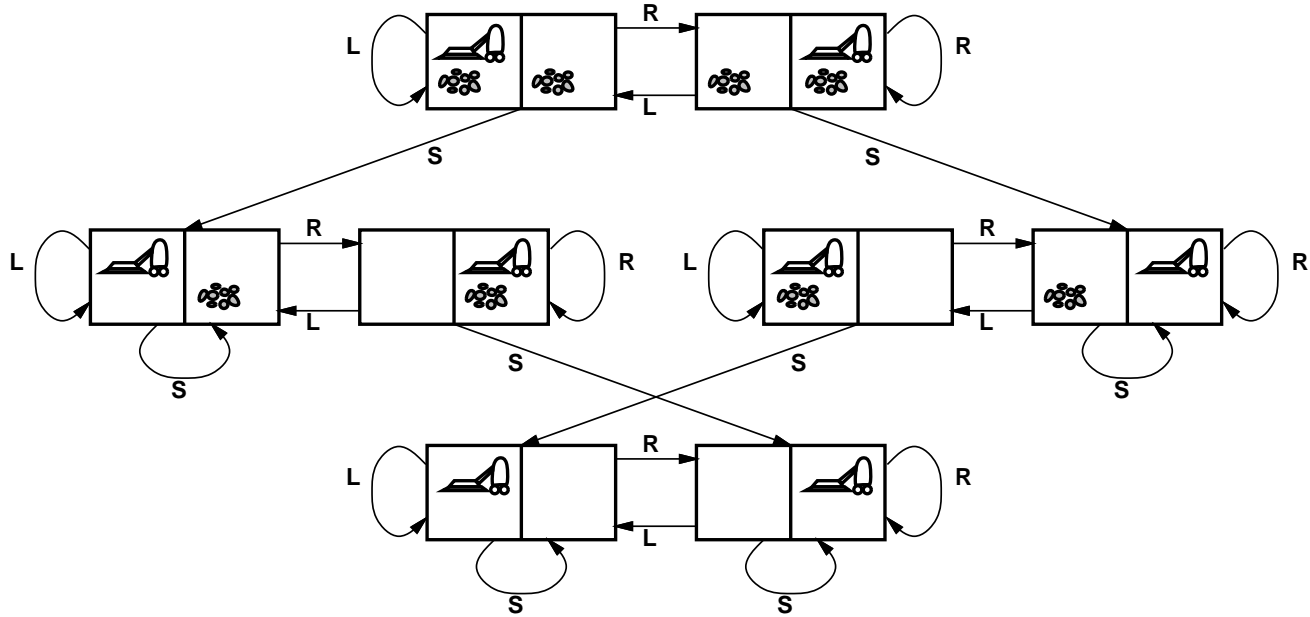
Each abstract action should be “easier” than the original problem!

Example: vacuum world state space graph



states??
actions??
goal test??
path cost??

Example: vacuum world state space graph



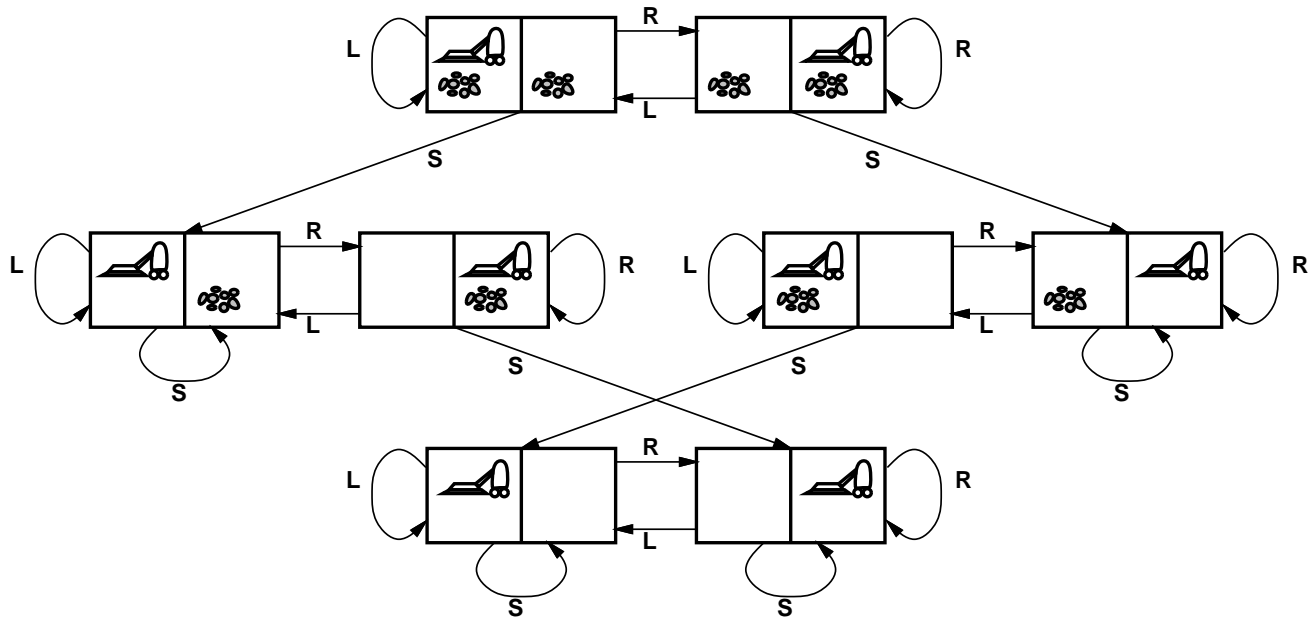
states??: integer dirt and robot locations (ignore dirt amounts etc.)

actions??

goal test??

path cost??

Example: vacuum world state space graph



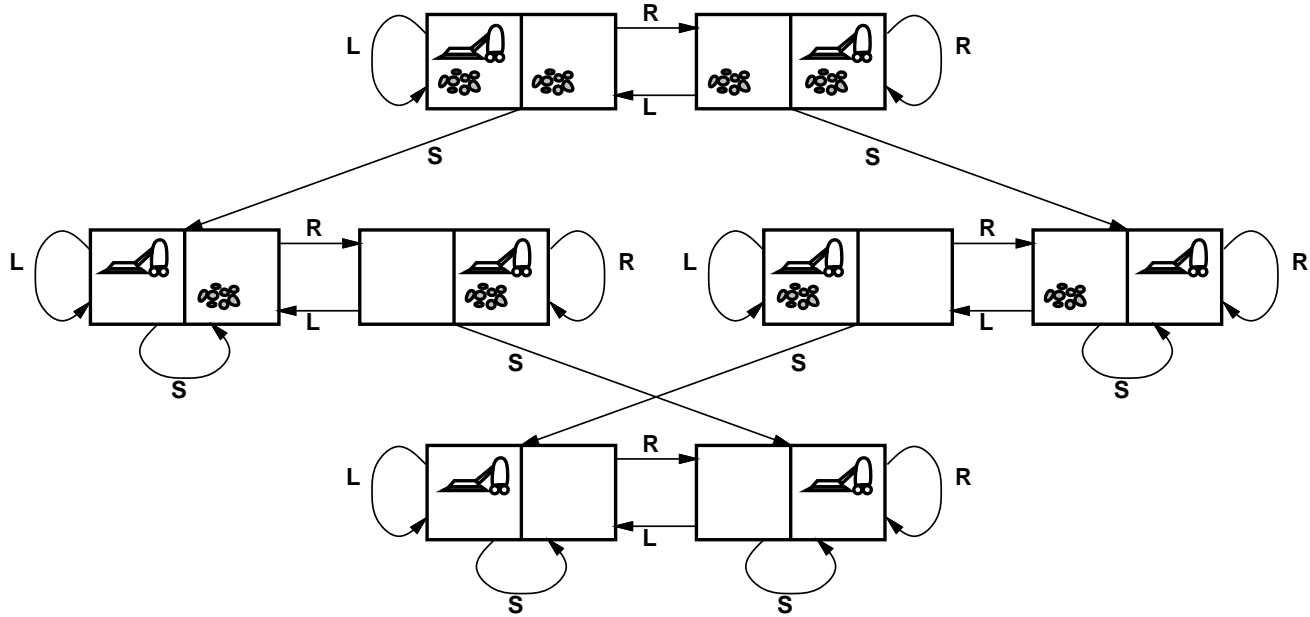
states??: integer dirt and robot locations (ignore dirt amounts etc.)

actions??: *Left, Right, Suck, NoOp*

goal test??

path cost??

Example: vacuum world state space graph



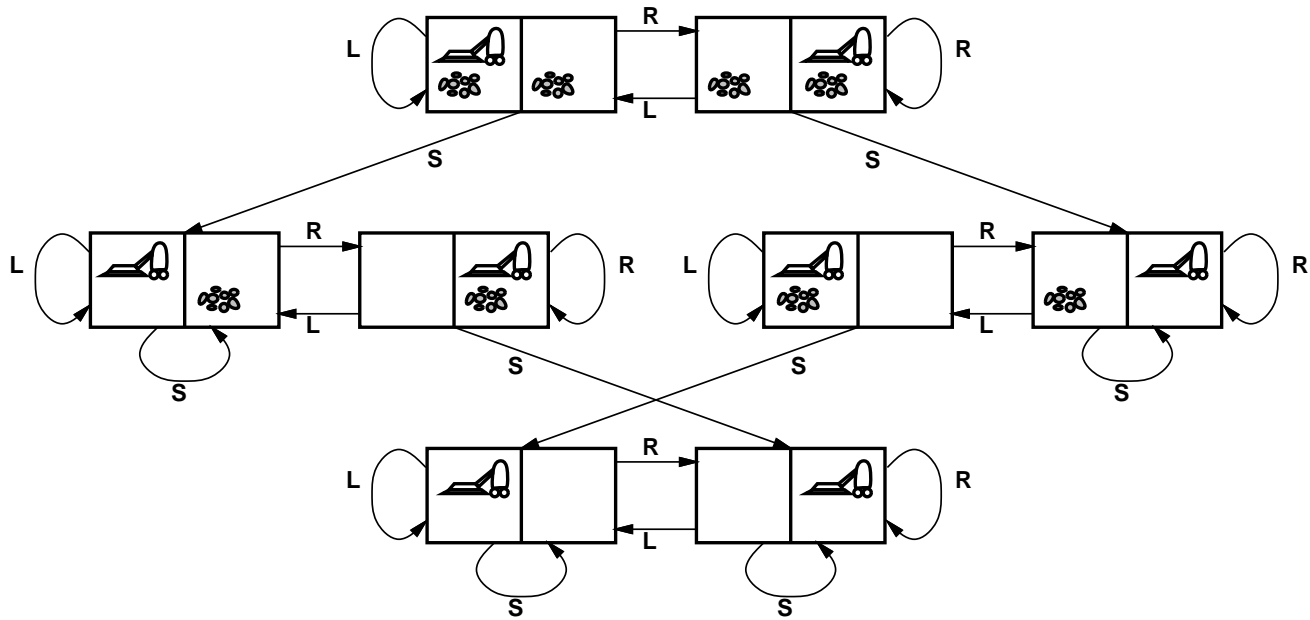
states??: integer dirt and robot locations (ignore dirt amounts etc.)

actions??: *Left, Right, Suck, NoOp*

goal test??: no dirt

path cost??

Example: vacuum world state space graph



states??: integer dirt and robot locations (ignore dirt amounts etc.)

actions??: *Left, Right, Suck, NoOp*

goal test??: no dirt

path cost??: 1 per action (0 for *NoOp*)

Example: The 8-puzzle

7	2	4
5		6
8	3	1

Start State

1	2	3
4	5	6
7	8	

Goal State

states??

actions??

goal test??

path cost??

Example: The 8-puzzle

7	2	4
5		6
8	3	1

Start State

1	2	3
4	5	6
7	8	

Goal State

states??: integer locations of tiles (ignore intermediate positions)

actions??

goal test??

path cost??

Example: The 8-puzzle

7	2	4
5		6
8	3	1

Start State

1	2	3
4	5	6
7	8	

Goal State

states??: integer locations of tiles (ignore intermediate positions)

actions??: move blank left, right, up, down (ignore unjamming etc.)

goal test??

path cost??

Example: The 8-puzzle

7	2	4
5		6
8	3	1

Start State

1	2	3
4	5	6
7	8	

Goal State

states??: integer locations of tiles (ignore intermediate positions)

actions??: move blank left, right, up, down (ignore unjamming etc.)

goal test??: = goal state (given)

path cost??

Example: The 8-puzzle

7	2	4
5		6
8	3	1

Start State

1	2	3
4	5	6
7	8	

Goal State

states??: integer locations of tiles (ignore intermediate positions)

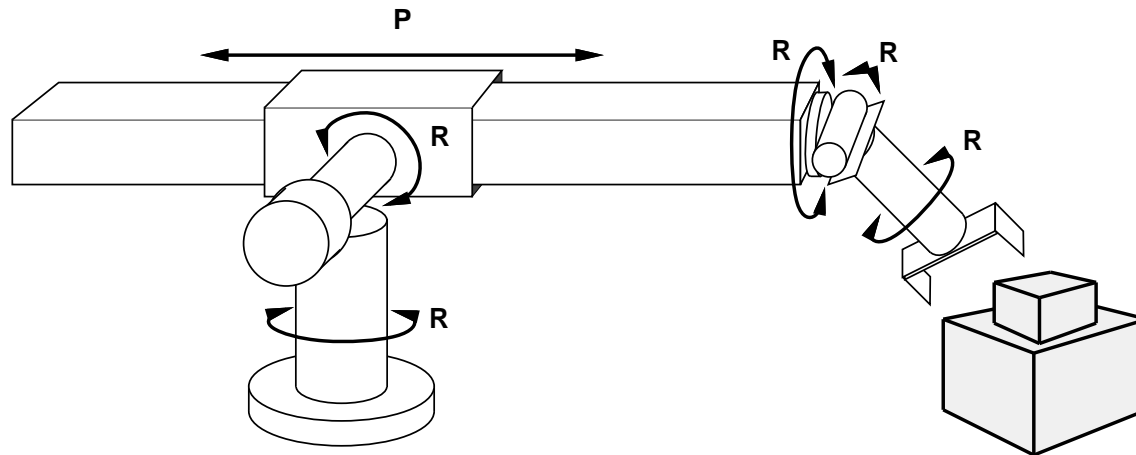
actions??: move blank left, right, up, down (ignore unjamming etc.)

goal test??: = goal state (given)

path cost??: 1 per move

[Note: optimal solution of n -Puzzle family is NP-hard]

Example: robotic assembly



states??: real-valued coordinates of robot joint angles
parts of the object to be assembled

actions??: continuous motions of robot joints

goal test??: complete assembly **with no robot included!**

path cost??: time to execute

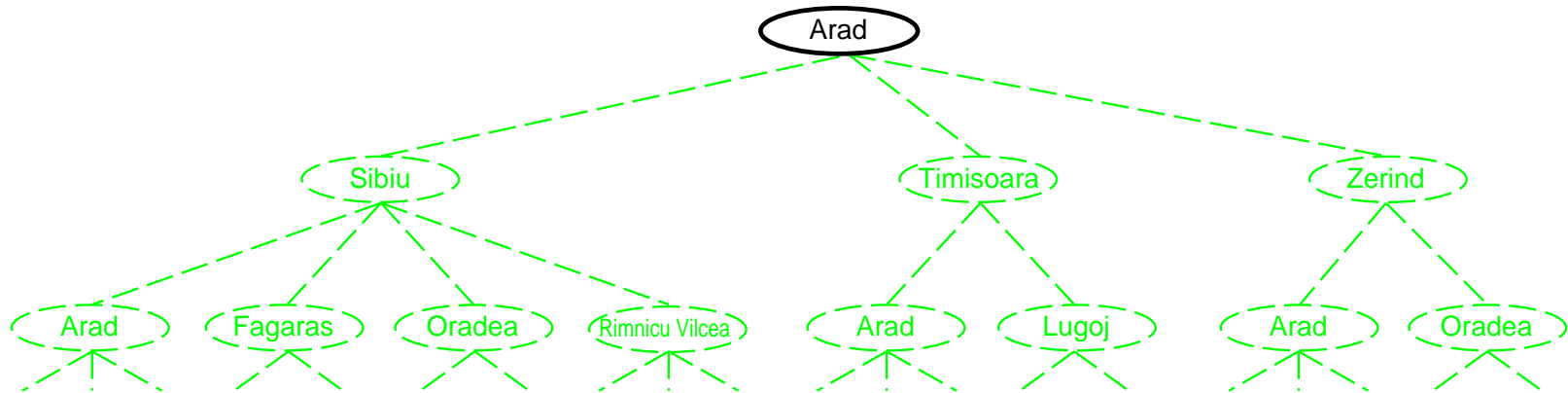
Tree search algorithms

Basic idea:

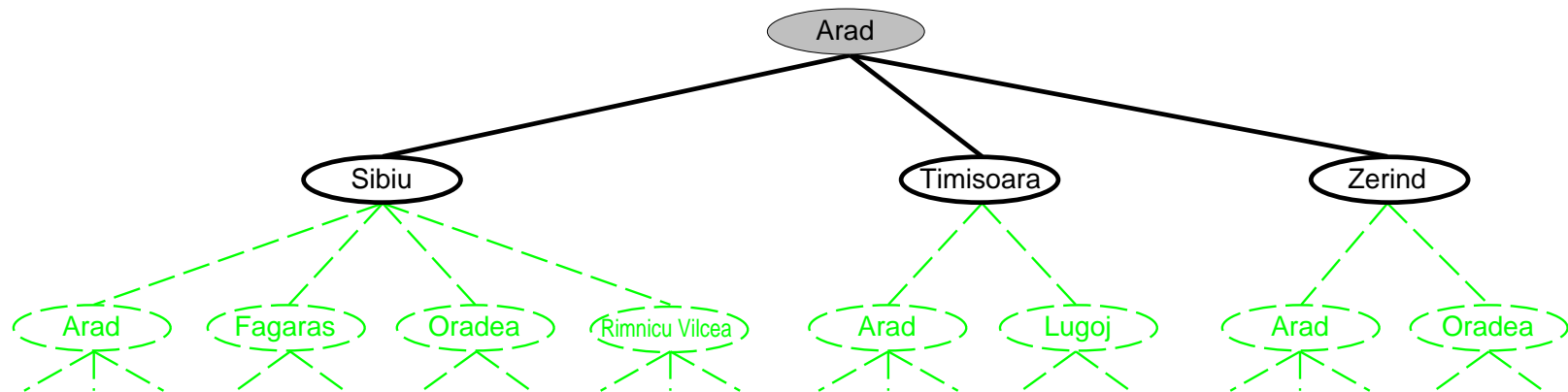
offline, simulated exploration of state space
by generating successors of already-explored states
(a.k.a. **expanding** states)

```
function TREE-SEARCH(problem, strategy) returns a solution, or failure
  initialize the search tree using the initial state of problem
  loop do
    if there are no candidates for expansion then return failure
    choose a leaf node for expansion according to strategy
    if the node contains a goal state then return the corresponding solution
    else expand the node and add the resulting nodes to the search tree
  end
```

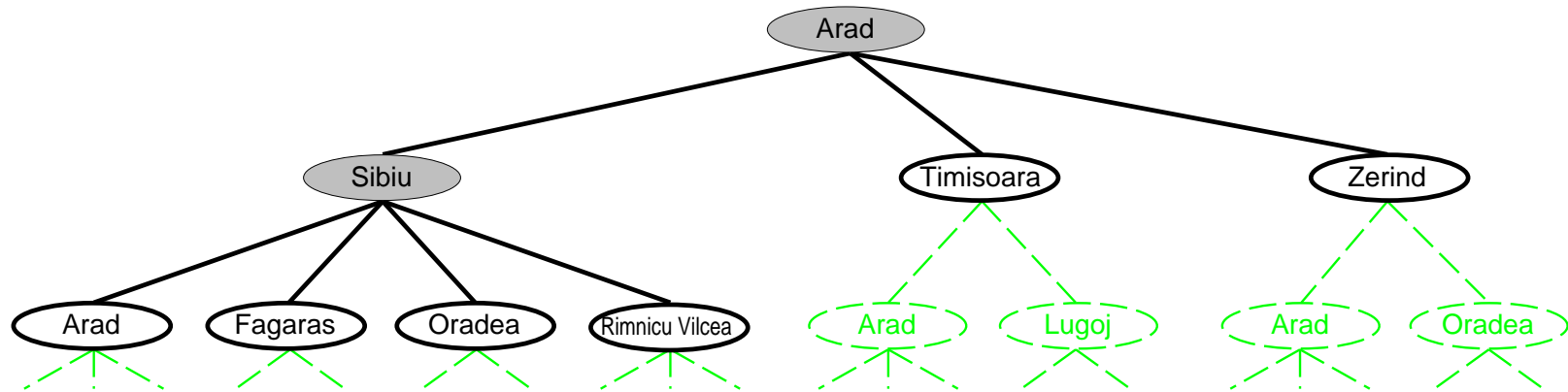

Tree search example



Tree search example



Tree search example



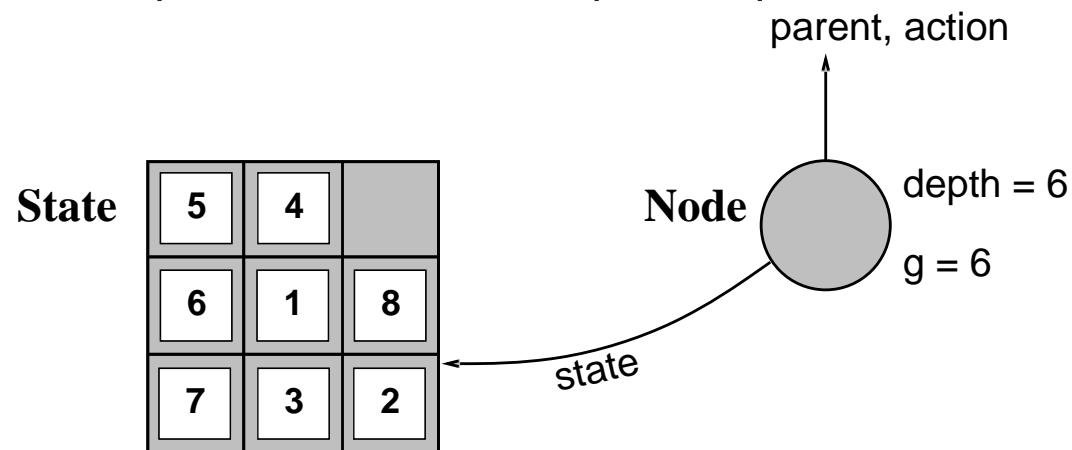
Implementation: states vs. nodes

A **state** is a (representation of) a physical configuration

A **node** is a data structure constituting part of a search tree

includes **parent**, **children**, **depth**, **path cost** $g(x)$

States do not have parents, children, depth, or path cost!



The **EXPAND** function creates new nodes, filling in the various fields and using the **SUCCESSORFN** of the problem to create the corresponding states.

Implementation: general tree search

```
function TREE-SEARCH(problem, fringe) returns a solution, or failure
  fringe ← INSERT(MAKE-NODE(INITIAL-STATE[problem]), fringe)
  loop do
    if fringe is empty then return failure
    node ← REMOVE-FRONT(fringe)
    if GOAL-TEST(problem, STATE(node)) then return node
    fringe ← INSERTALL(EXPAND(node, problem), fringe)
```

```
function EXPAND(node, problem) returns a set of nodes
  successors ← the empty set
  for each action, result in SUCCESSOR-FN(problem, STATE[node]) do
    s ← a new NODE
    PARENT-NODE[s] ← node; ACTION[s] ← action; STATE[s] ← result
    PATH-COST[s] ← PATH-COST[node] + STEP-COST(STATE[node], action,
result)
    DEPTH[s] ← DEPTH[node] + 1
    add s to successors
  return successors
```

Search strategies

A strategy is defined by picking the **order of node expansion**

Strategies are evaluated along the following dimensions:

completeness—does it always find a solution if one exists?

time complexity—number of nodes generated/expanded

space complexity—maximum number of nodes in memory

optimality—does it always find a least-cost solution?

Time and space complexity are measured in terms of

b —maximum branching factor of the search tree

d —depth of the least-cost solution

m —maximum depth of the state space (may be ∞)

Uninformed search strategies

Uninformed strategies use only the information available in the problem definition

Breadth-first search

Uniform-cost search

Depth-first search

Depth-limited search

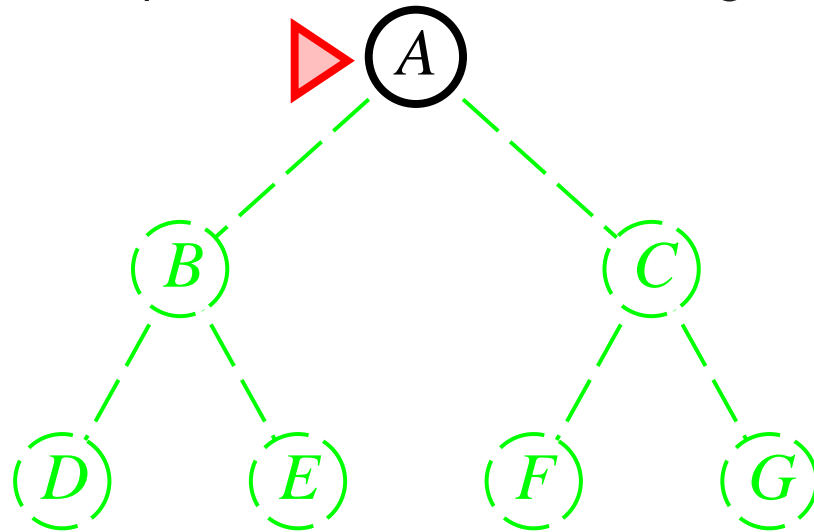
Iterative deepening search

Breadth-first search

Expand shallowest unexpanded node

Implementation:

fringe is a FIFO queue, i.e., new successors go at end

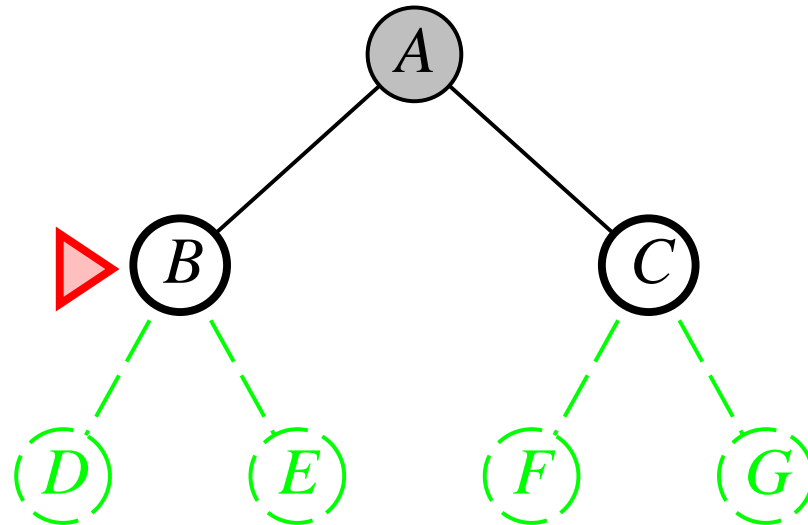


Breadth-first search

Expand shallowest unexpanded node

Implementation:

fringe is a FIFO queue, i.e., new successors go at end

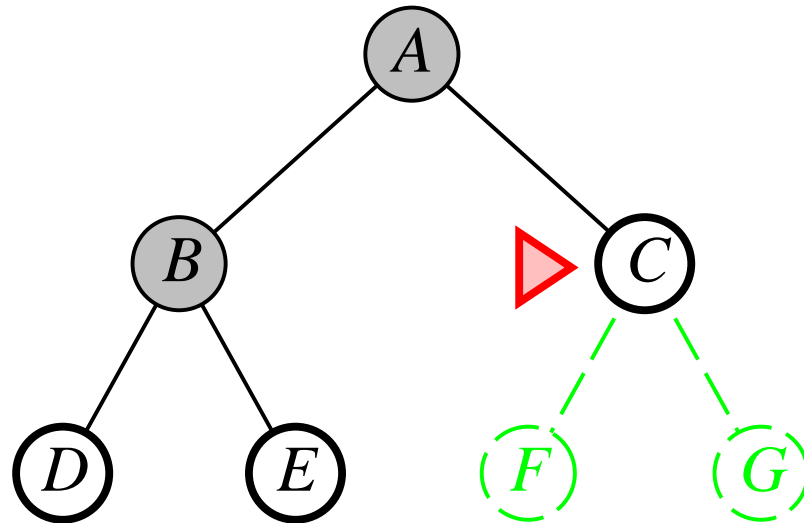


Breadth-first search

Expand shallowest unexpanded node

Implementation:

fringe is a FIFO queue, i.e., new successors go at end

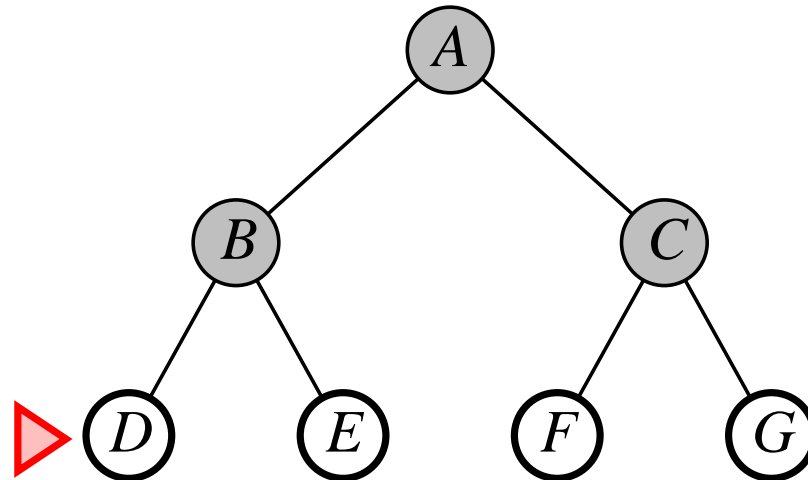


Breadth-first search

Expand shallowest unexpanded node

Implementation:

fringe is a FIFO queue, i.e., new successors go at end



Properties of breadth-first search

Complete??

Properties of breadth-first search

Complete?? Yes (if b is finite)

Time??

Properties of breadth-first search

Complete?? Yes (if b is finite)

Time?? $1 + b + b^2 + b^3 + \dots + b^d + b(b^d - 1) = O(b^{d+1})$, i.e., exp. in d

Space??

Properties of breadth-first search

Complete?? Yes (if b is finite)

Time?? $1 + b + b^2 + b^3 + \dots + b^d + b(b^d - 1) = O(b^{d+1})$, i.e., exp. in d

Space?? $O(b^{d+1})$ (keeps every node in memory)

Optimal??

Properties of breadth-first search

Complete?? Yes (if b is finite)

Time?? $1 + b + b^2 + b^3 + \dots + b^d + b(b^d - 1) = O(b^{d+1})$, i.e., exp. in d

Space?? $O(b^{d+1})$ (keeps every node in memory)

Optimal?? Yes (if cost = 1 per step); not optimal in general

Space is the big problem; can easily generate nodes at 100MB/sec
so 24hrs = 8640GB.

Uniform-cost search

Expand least-cost unexpanded node

Implementation:

fringe = queue ordered by path cost, lowest first

Equivalent to breadth-first if step costs all equal

Complete?? Yes, if step cost $\geq \epsilon$

Time?? # of nodes with $g \leq$ cost of optimal solution, $O(b^{\lceil C^*/\epsilon \rceil})$
where C^* is the cost of the optimal solution

Space?? # of nodes with $g \leq$ cost of optimal solution, $O(b^{\lceil C^*/\epsilon \rceil})$

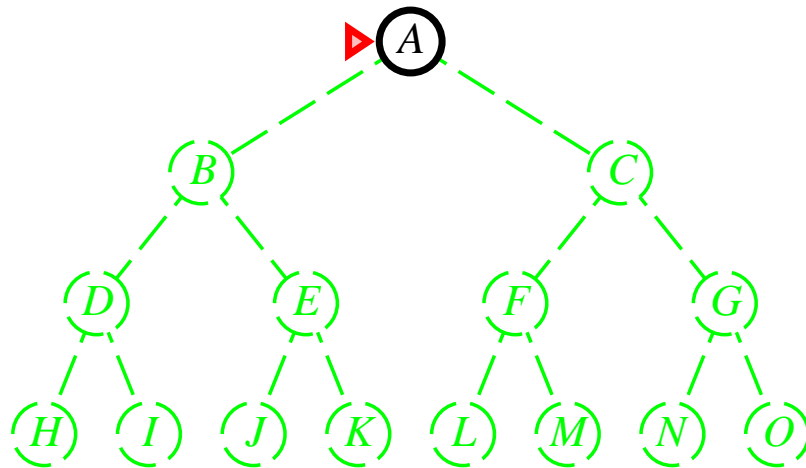
Optimal?? Yes—nodes expanded in increasing order of $g(n)$

Depth-first search

Expand deepest unexpanded node

Implementation:

fringe = LIFO queue, i.e., put successors at front

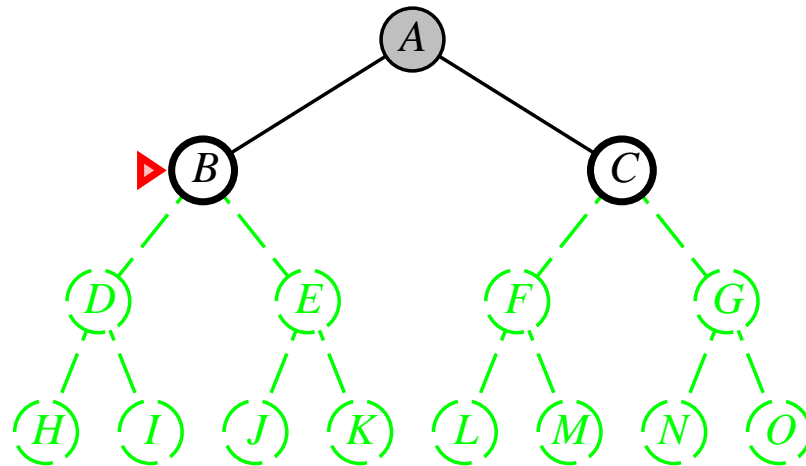


Depth-first search

Expand deepest unexpanded node

Implementation:

fringe = LIFO queue, i.e., put successors at front

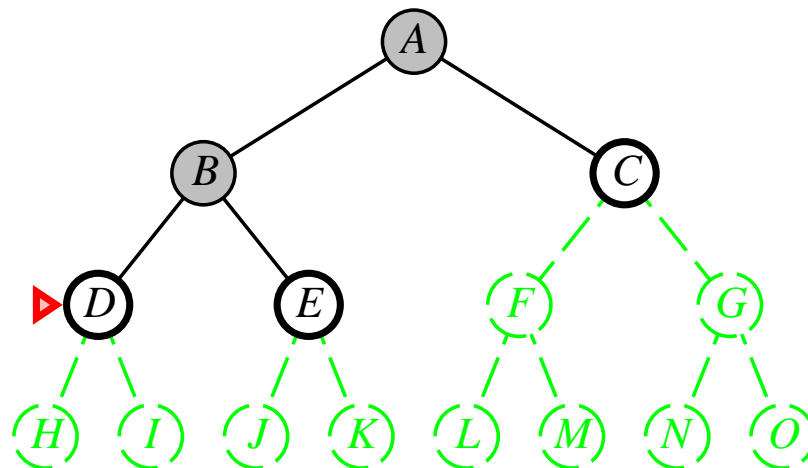


Depth-first search

Expand deepest unexpanded node

Implementation:

fringe = LIFO queue, i.e., put successors at front

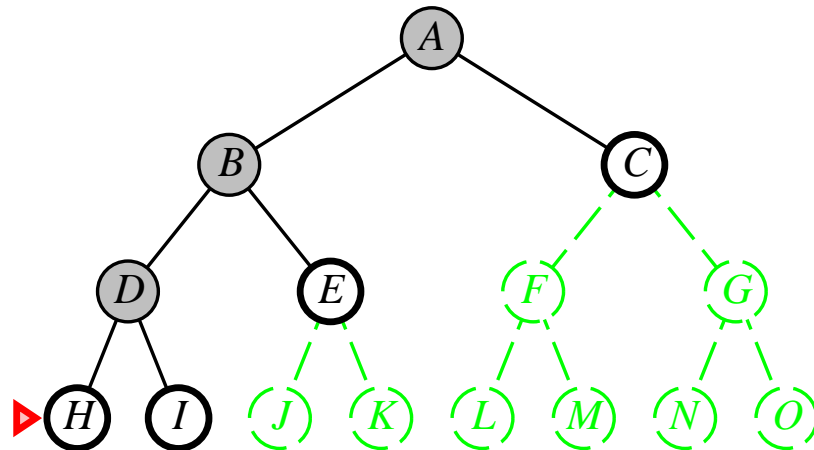


Depth-first search

Expand deepest unexpanded node

Implementation:

fringe = LIFO queue, i.e., put successors at front

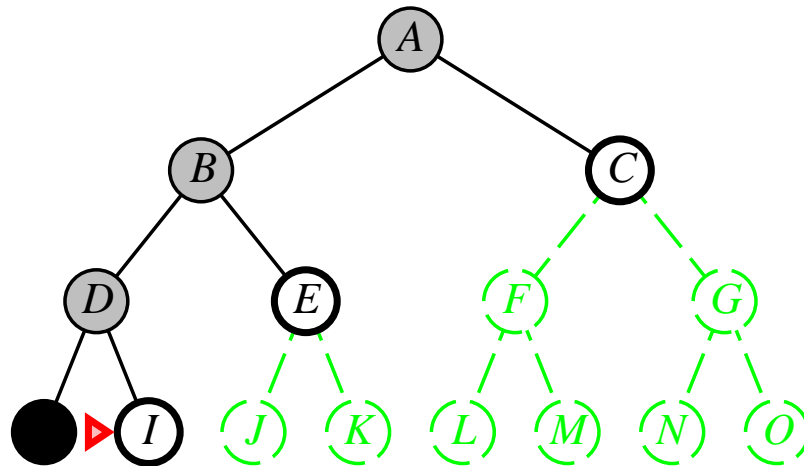


Depth-first search

Expand deepest unexpanded node

Implementation:

fringe = LIFO queue, i.e., put successors at front

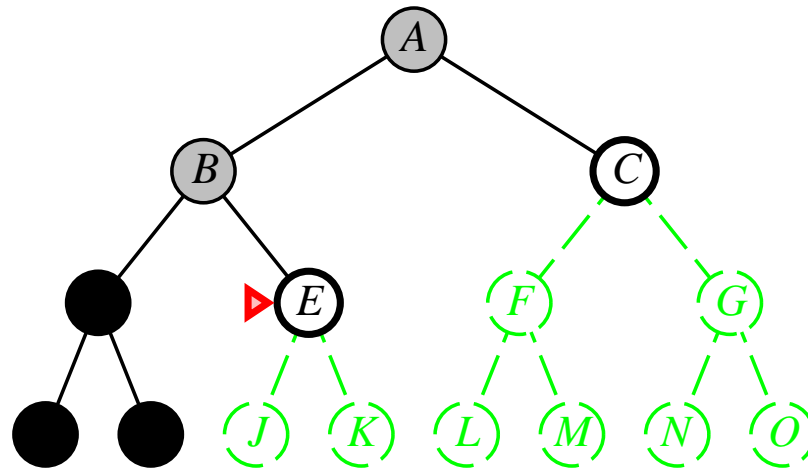


Depth-first search

Expand deepest unexpanded node

Implementation:

fringe = LIFO queue, i.e., put successors at front

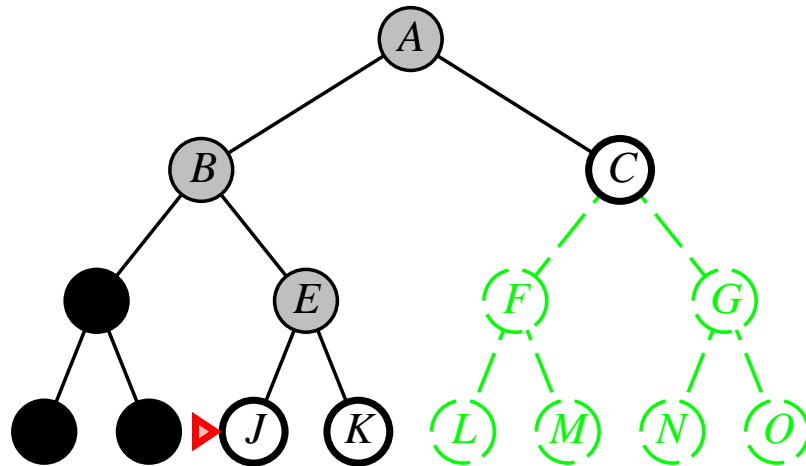


Depth-first search

Expand deepest unexpanded node

Implementation:

fringe = LIFO queue, i.e., put successors at front

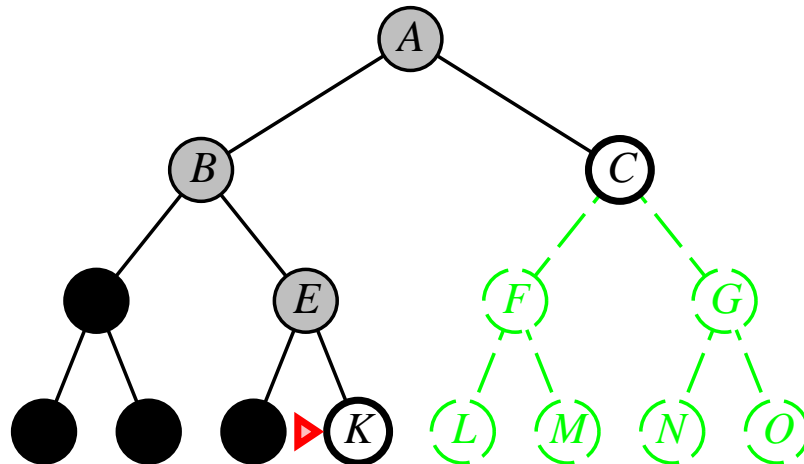


Depth-first search

Expand deepest unexpanded node

Implementation:

fringe = LIFO queue, i.e., put successors at front

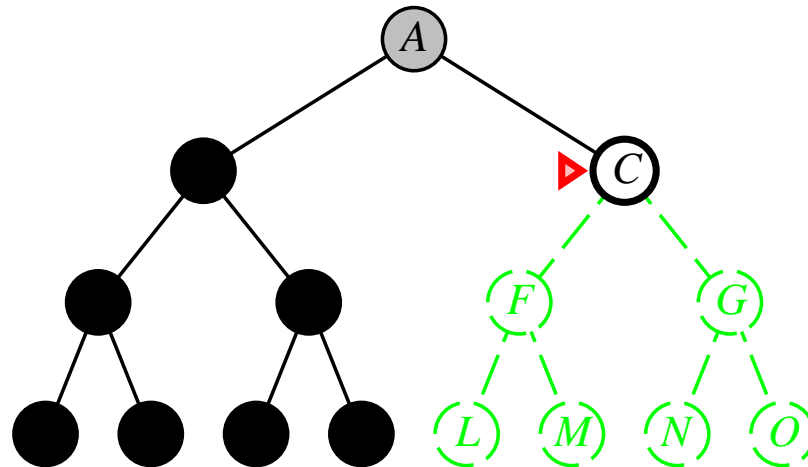


Depth-first search

Expand deepest unexpanded node

Implementation:

fringe = LIFO queue, i.e., put successors at front

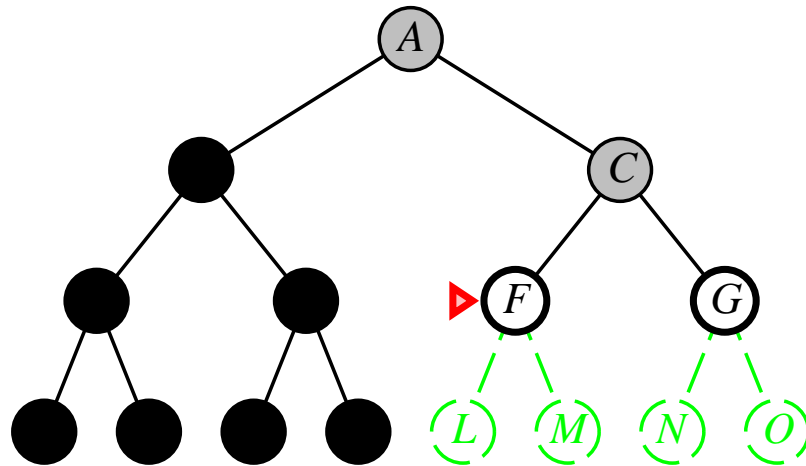


Depth-first search

Expand deepest unexpanded node

Implementation:

fringe = LIFO queue, i.e., put successors at front

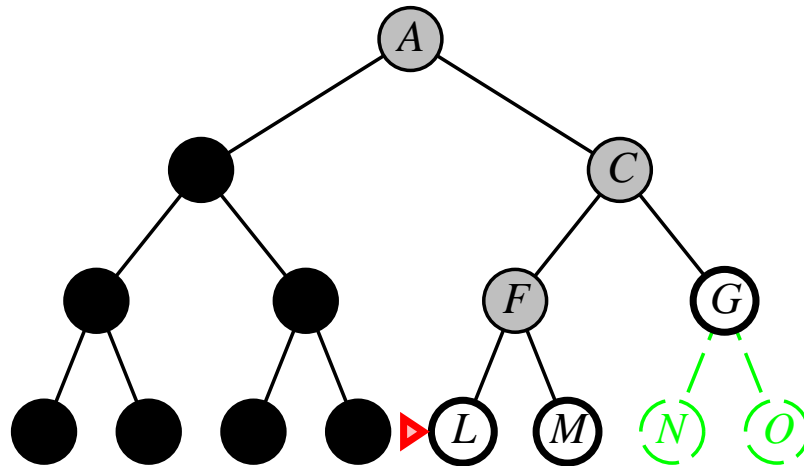


Depth-first search

Expand deepest unexpanded node

Implementation:

fringe = LIFO queue, i.e., put successors at front

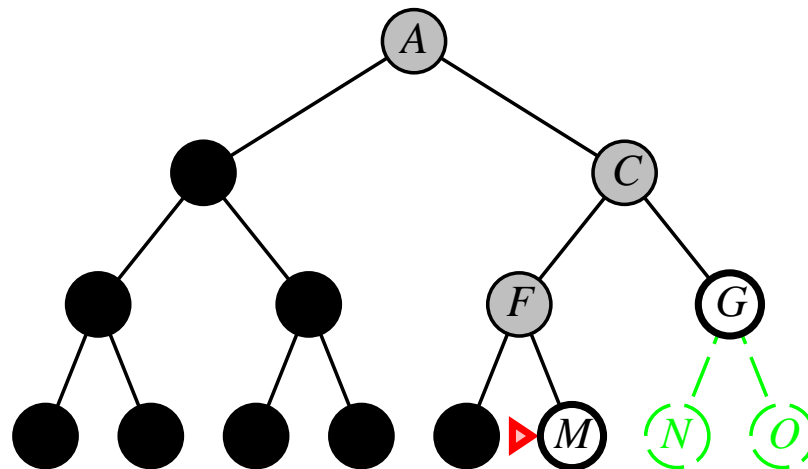


Depth-first search

Expand deepest unexpanded node

Implementation:

fringe = LIFO queue, i.e., put successors at front



Properties of depth-first search

Complete??

Properties of depth-first search

Complete?? No: fails in infinite-depth spaces, spaces with loops

Modify to avoid repeated states along path

⇒ complete in finite spaces

Time??

Properties of depth-first search

Complete?? No: fails in infinite-depth spaces, spaces with loops

Modify to avoid repeated states along path

⇒ complete in finite spaces

Time?? $O(b^m)$: terrible if m is much larger than d

but if solutions are dense, may be much faster than breadth-first

Space??

Properties of depth-first search

Complete?? No: fails in infinite-depth spaces, spaces with loops

Modify to avoid repeated states along path

⇒ complete in finite spaces

Time?? $O(b^m)$: terrible if m is much larger than d

but if solutions are dense, may be much faster than breadth-first

Space?? $O(bm)$, i.e., linear space!

Optimal??

Properties of depth-first search

Complete?? No: fails in infinite-depth spaces, spaces with loops

Modify to avoid repeated states along path

⇒ complete in finite spaces

Time?? $O(b^m)$: terrible if m is much larger than d

but if solutions are dense, may be much faster than breadth-first

Space?? $O(bm)$, i.e., linear space!

Optimal?? No

Depth-limited search

= depth-first search with depth limit l ,
i.e., nodes at depth l have no successors

Recursive implementation:

```
function DEPTH-LIMITED-SEARCH(problem, limit) returns soln/fail/cutoff
    RECURSIVE-DLS(MAKE-NODE(INITIAL-STATE[problem]), problem, limit)

function RECURSIVE-DLS(node, problem, limit) returns soln/fail/cutoff
    cutoff-occurred? ← false
    if GOAL-TEST(problem, STATE[node]) then return node
    else if DEPTH[node] = limit then return cutoff
    else for each successor in EXPAND(node, problem) do
        result ← RECURSIVE-DLS(successor, problem, limit)
        if result = cutoff then cutoff-occurred? ← true
        else if result ≠ failure then return result
    if cutoff-occurred? then return cutoff else return failure
```

Iterative deepening search

```
function ITERATIVE-DEEPENING-SEARCH(problem) returns a solution
  inputs: problem, a problem
  for depth  $\leftarrow$  0 to  $\infty$  do
    result  $\leftarrow$  DEPTH-LIMITED-SEARCH(problem, depth)
    if result  $\neq$  cutoff then return result
  end
```

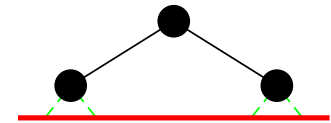
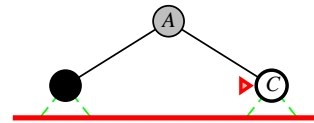
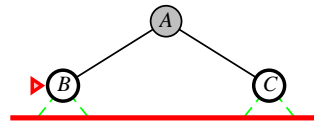
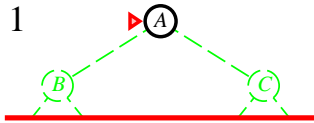
Iterative deepening search $l = 0$

Limit = 0



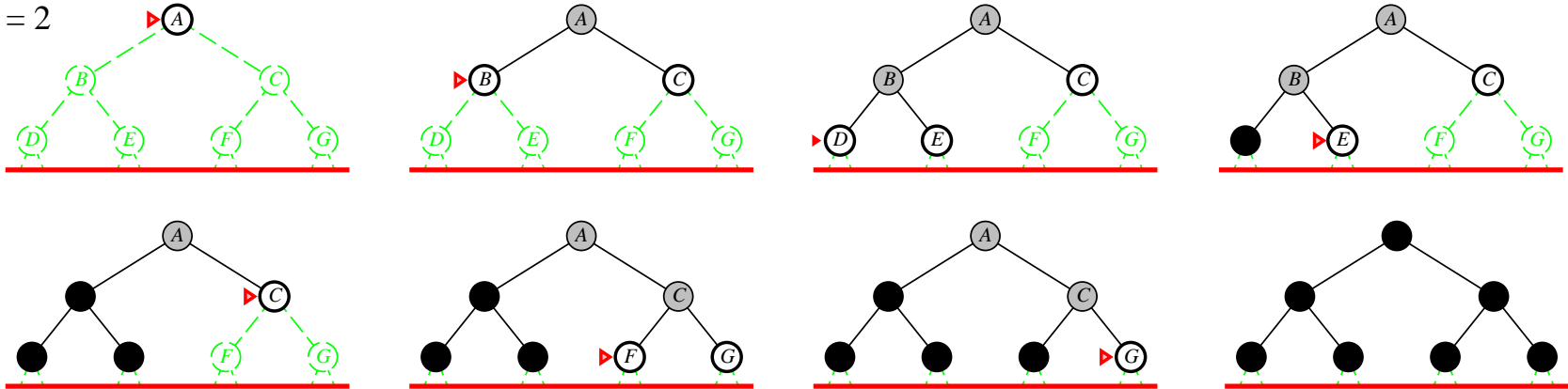
Iterative deepening search $l = 1$

Limit = 1



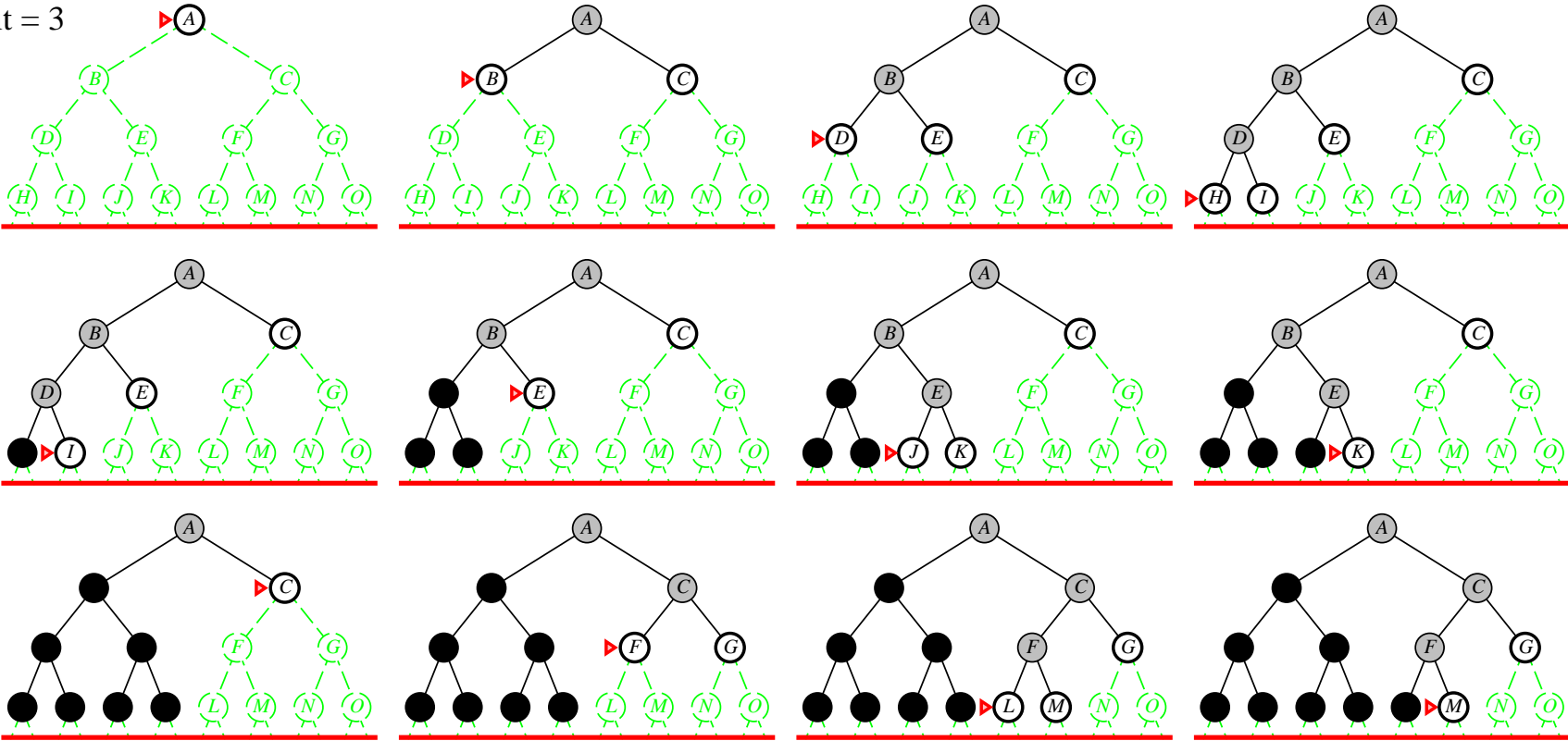
Iterative deepening search $l = 2$

Limit = 2



Iterative deepening search $l = 3$

Limit = 3



Properties of iterative deepening search

Complete??

Properties of iterative deepening search

Complete?? Yes

Time??

Properties of iterative deepening search

Complete?? Yes

Time?? $(d + 1)b^0 + db^1 + (d - 1)b^2 + \dots + b^d = O(b^d)$

Space??

Properties of iterative deepening search

Complete?? Yes

Time?? $(d + 1)b^0 + db^1 + (d - 1)b^2 + \dots + b^d = O(b^d)$

Space?? $O(bd)$

Optimal??

Properties of iterative deepening search

Complete?? Yes

Time?? $(d + 1)b^0 + db^1 + (d - 1)b^2 + \dots + b^d = O(b^d)$

Space?? $O(bd)$

Optimal?? Yes, if step cost = 1

Can be modified to explore uniform-cost tree

Numerical comparison for $b = 10$ and $d = 5$, solution at far right leaf:

$$N(\text{IDS}) = 50 + 400 + 3,000 + 20,000 + 100,000 = 123,450$$

$$N(\text{BFS}) = 10 + 100 + 1,000 + 10,000 + 100,000 + 999,990 = 1,111,100$$

IDS does better because other nodes at depth d are not expanded

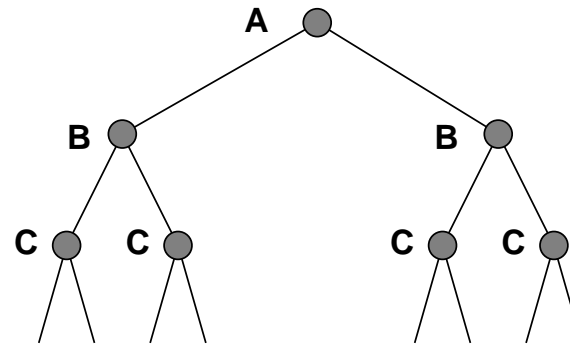
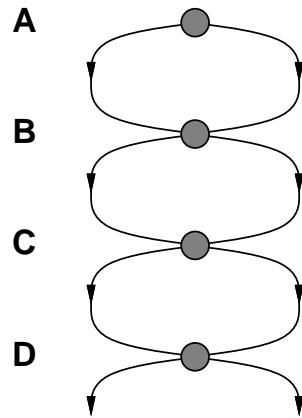
BFS can be modified to apply goal test when a node is **generated**

Summary of algorithms

Criterion	Breadth- First	Uniform- Cost	Depth- First	Depth- Limited	Iterative Deepening
Complete?	Yes*	Yes*	No	Yes, if $l \geq d$	Yes
Time	b^{d+1}	$b^{\lceil C^*/\epsilon \rceil}$	b^m	b^l	b^d
Space	b^{d+1}	$b^{\lceil C^*/\epsilon \rceil}$	bm	bl	bd
Optimal?	Yes*	Yes	No	No	Yes*

Repeated states

Failure to detect repeated states can turn a linear problem into an exponential one!



Graph search

function GRAPH-SEARCH(*problem*, *fringe*) **returns** a solution, or failure

closed ← an empty set

fringe ← INSERT(MAKE-NODE(INITIAL-STATE[*problem*]), *fringe*)

loop do

if *fringe* is empty **then return** failure

node ← REMOVE-FRONT(*fringe*)

if GOAL-TEST(*problem*, STATE[*node*]) **then return** *node*

if STATE[*node*] is not in *closed* **then**

 add STATE[*node*] to *closed*

fringe ← INSERTALL(EXPAND(*node*, *problem*), *fringe*)

end

Summary

Problem formulation usually requires abstracting away real-world details to define a state space that can feasibly be explored

Variety of uninformed search strategies

Iterative deepening search uses only linear space and not much more time than other uninformed algorithms

Graph search can be exponentially more efficient than tree search